

**SPECIFICATION FOR APPROVAL**  
**Switching power Supply**

**CUSTOMER:** \_\_\_\_\_

**DESCRIPTION:** Input:100~240V AC 50/60Hz    Output: DC 24V5A

**OUR MODEL NO:** \_\_\_\_\_ **BSG120W-24005000** \_\_\_\_\_

**SAMPLE NO:** \_\_\_\_\_

**DATE:** 2022-06-11

**SAMPLE COLOR:Black**

**White**

APPROVAL SIGNATURE/		
APPROVED BY	CHECKED BY	TESTED BY

Manufacturer		
SALES	APPROVED BY	DESIGNED BY

Rev. List			
Rev.	Date	Description	Design
V1.0	2022.06.11		

### Table of contents

1、 **DESCRIPTION**.....3

2、 **INPUT CHARACTERISTICS** .....3

3、 **OUTPUT CHARACTERISTICS**.....4-5

4、 **PROTECTION FUNCTION**.....5

5、 **ENVIRONMENTAL REQUIREMET**.....5~6

6、 **SAFETY AND EMC REQUIREMENT**..... 6

7、 **MECHANICAL REQUIREMENT**.....7

8、 **CORD** ..... 8

9、 **LABEL**.....9

10、 **PACKING**..... 10

# ICbanQ Inc.

Tel:82-070-7019-3947 Email:Tommy@icbanq.com

**Our model:**BSG120W-24005000

**Customer:**

**Date:**2022.06.11

**SAMPLE No:**

## 1、 DESCRIPTION:

The purpose of the document is to specify the functional requirements of a 120W switching power supply.

## 2、 INPUT CHARACTERISTICS:

### 2.1 Input Voltage:

Rated Voltage:100~240Vac

Variation Range:90-264Vac

### 2.2 INPUT FREQUENCY:

Rated Frequency: 50/60Hz.

Variation Frequency:47-63Hz

### 2.3 INPUT CURRENT:

2.0Amps max At any input voltage and rated, DC output rated load.

### 2.4 INRUSH CURRENT:

30 Amps Max. Cold start at 240Vac input, with rated load and 25°C ambient.

### 2.5 AC LEAKAGE CURRENT

0.25mA Max.At240Vac input.

# ICbanQ Inc.

Tel:82-070-7019-3947 Email:Tommy@icbanq.com

**Our model:**BSG120W-24005000

**Customer:**

**Date:**2022.06.11

**SAMPLE No:**

## 3、OUTPUT CHARACTERISTICS:

### 3.1 Power output

Voltage	Min. Load	Rated. Load	Peak	Output power
24Vdc	0.00A	5A	120W	120W

### 3.2 Combined Load/Line Regulation

Voltage	Min. Load	Rated. Load	Line Regulation	Voitage range
24Vdc	0.00A	5A	±3%	23.44V-24.6V

### 3.3Ripple and Noise:

Under nominal voltage and nominal load,the ripple and noise are as follows when measure with Max.Bandwidth of 20MHz and Parallel 47uF/0.1uF,crossed connected at testing point.

Voltage \_\_\_\_\_ Ripple and Noise(Max.)

+24Vdc

120mV p-p

### 3.4 Turn on delay time:

**3Second Max.at 115Vac input and output Max.load.**

### 3.5 Rise time:

**40 mS Max.at 115Vac input and output Max load.**

### 3.6 保持时间/Hold up time:

**5 mS Min.at 115Vac input and output Max.Load.**

### 3.7 Average Effiviency

**Average Effiviency 88Min, At 115/230Vac input and output 100%Load 75%Load 50%Load 25%Load Adapter meet efficiency Level VI**

# ICbanQ Inc.

Tel:82-070-7019-3947 Email:Tommy@icbanq.com

**Our model:**BSG120W-24005000

**Customer:**

**Date:**2022.06.11

**SAMPLE No:**

## 4、PROTECTION FUNCTION:

### 4.1 Short circuit test:

The power supply will be auto recovered when short circuit faults remove.

### 4.2 Over current Protection:

The power supply will be auto recovered when over current faults remove.

### 4.3 Over Voltage Protection:

The power supply will auto recovered when faults remove 120%~170%.

## 5、ENVIRONMENTAL REQUIREMET:

### 5.1 Operating Temperature:

0°C to 40°C,Full load, Normal operation.

### 5.2 Storage Temperature:-20°C to 80°C

With package

### 5.3 Relative Humidity:

5%(0°C)~90%(40°C)RH,72Hrs,Full load, Normal operating.

### 5.4 Vibration:

**Operating: IEC 721-3-3 3M3**

5~9Hz,A=1.5mm

**(9~200Hz,Acceleration 5m/S<sup>2</sup>)**

### 2. Transportation:

IEC 721-3-2 2M2

5-9Hz,A=3.5mm

9~200Hz,**Acceleration=5m/S<sup>2</sup>**

200~500Hz,**Acceleration=15m/S<sup>2</sup>**

# ICbanQ Inc.

Tel:82-070-7019-3947 Email:Tommy@icbanq.com

**Our model:**BSG120W-24005000

**Customer:**

**Date:**2022.06.11

**SAMPLE No:**

### 3. Axes,10 cycles per axis.

No permanent damage may occur during testing.

The SAMPLE has to restore to its original situation after power off/on..

### 5.5 Dropping Packed:

1M for wallmount type and 760mm for desktop type as above described.

The horizontal surface consists of hardwood at least 13mm thick, mounted on two layers of plywood

each 19mm to 20mm thick,all supported on a concrete or equivalent non-resilient floor.

### 6、 SAFETY REQUIREMENT:

#### 6.1

**Safety:** accord with UL/CUL-(UL60950-1), CCC-(GB4943),IEC 60950-1;2005

#### 6.2 DIELECTRIC STRENGTH Hi-Pot:

**Primary to secondary:**3750Vac10mA/3S for type test.

#### 6.3 Insulation resistance:

/Primary to secondary:10M $\Omega$  min at 500V DC.

#### 6.4 EMI STANDARD

Meets the Limits of

<1>.Fcc part15 class B rules

<2>.EN55022 class B rules

<3>.GB9254-1998,GB17625.1-2003

ICbanQ Inc.

Tel:82-070-7019-3947 Email:Tommy@icbanq.com

Our model:BSG120W-24005000

Customer:

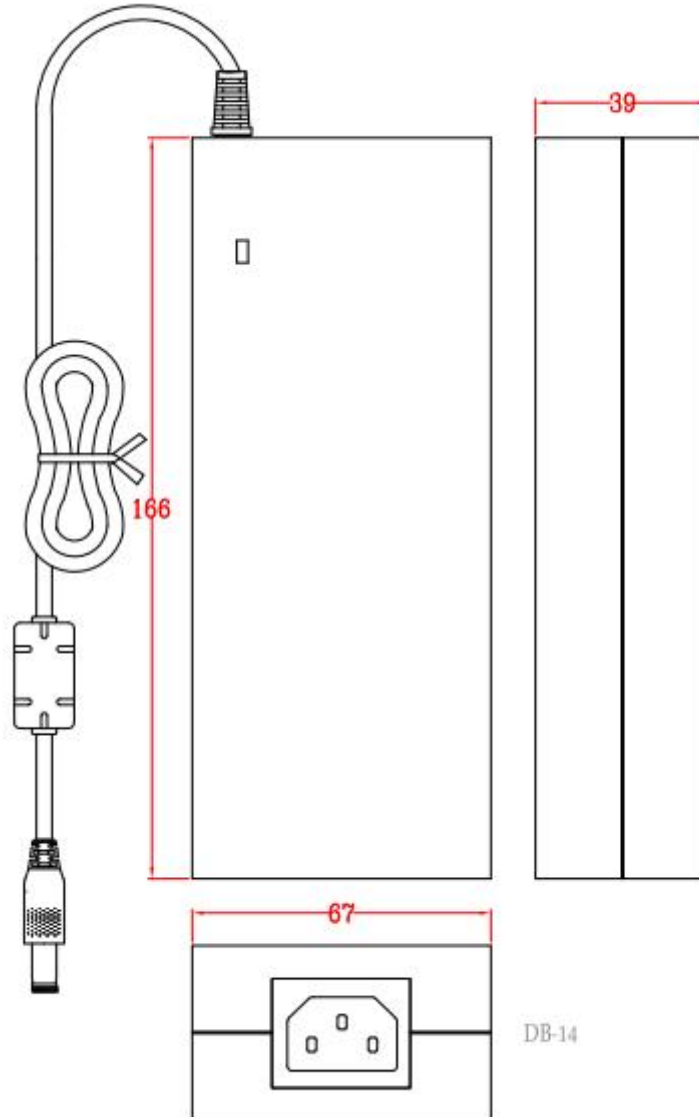
Date:2022.06.11

SAMPLE No:

7、 **MECHANICAL REQUIREMENT:**

7.1 Enclosure:

The power supply size: L166x W67 x H39mm;



ICbanQ Inc.

Tel:82-070-7019-3947 Email:Tommy@icbanq.com

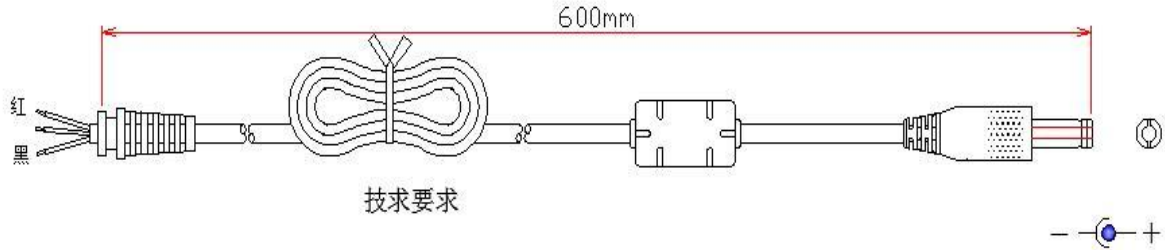
Our model:BSG120W-24005000

Customer:

Date:2022.06.11

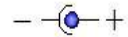
SAMPLE No:

8、CORD:



技术要求

1. 外皮黑色, 材料:PVC胶, 长度600mm。
2. 导电线芯红色, 黑色; 标准20AWG。
3. SR要求:5\*7mm, 扎线要求如图示。5.5\*2.1音插直头





ICbanQ Inc.

Tel:82-070-7019-3947 Email:Tommy@icbanq.com

Our model:BSG120W-24005000

Customer:

Date:2022.06.11

SAMPLE No:

9、LABEL:

**전기공급의표시사항**

제품명: AC/DC ADAPTER

모델명: BSG120W-24005000

정격 입력: AC100-240V  
50/60Hz 2.0A

정격 출력: DC 24V  $\equiv$  5.0A

제조사:

SHENZHEN  
TECHNOLOGY CO., LTD

R-R-BxG-BSG120W-480025

제작년월: 2021-10



HU10584-21020



MADE IN CHINA

ICbanQ Inc.

Tel:82-070-7019-3947 Email:Tommy@icbanq.com

Our model:BSG120W-24005000

Customer:

Date:2022.06.11

SAMPLE No:

10、PACKING: 50PCS

