

# EMI/EMC FILTER

## IR3 SERIES



### FEATURES

- Double pole power ON/OFF switch and comply with IEC 61058-1.
- Suitable for the product that must conform to FCC, FTZ.
- Good shield effect by using metal case.
- Meet over voltage category II of IEC 60664 and comply with IEC 60950.
- Uses IEC connector that meets the safety standards of all certifying organizations.

### APPLICATIONS

- Digital equipments.
- Personal computers and peripherals.
- Measuring and testing instruments.
- Communication equipments.
- Medical equipments.

### SPECIFICATIONS

| Model         | Rated Voltage (AC,DC) | Rated Current | Leakage Current (250V AC) | Temperature Rise            | Operating Temperature (°C)   |
|---------------|-----------------------|---------------|---------------------------|-----------------------------|--|
| IR3-(N)03**-* | 250V                  | 3A            | -                         | 60°C max.<br>(UL only:45°C) | -25°C to +100°C including temperature rise.<br>(UL Only: -25°C to +85°C) |
| IR3-(N)06**-* | 250V                  | 6A            | -                         |                             |  |
| IR3-(N)10**-* | 250V                  | 10A           | -                         |                             |  |
| IR3-(N)***0-* | -                     | *             | 0.01mA max.               | -                           |  |
| IR3-(N)***C-* | -                     | *             | 0.075mA max.              | -                           |  |
| IR3-(N)***D-* | -                     | *             | 0.10mA max.               | -                           |  |
| IR3-(N)***G-* | -                     | *             | 0.15mA max.               | -                           |  |
| IR3-(N)***E-* | -                     | *             | 0.20mA max.               | -                           |  |
| IR3-(N)***1-* | -                     | *             | 0.25mA max.               | -                           |  |
| IR3-(N)***2-* | -                     | *             | 0.35mA max.               | -                           |  |
| IR3-(N)***3-* | -                     | *             | 0.50mA max.               | -                           |  |

Note:

Test Voltage: 1500V AC one minute line to earth.

Insulation Resistance: 300Mohm min. at 500V DC.

Voltage Drop: 1V max. at rated current.

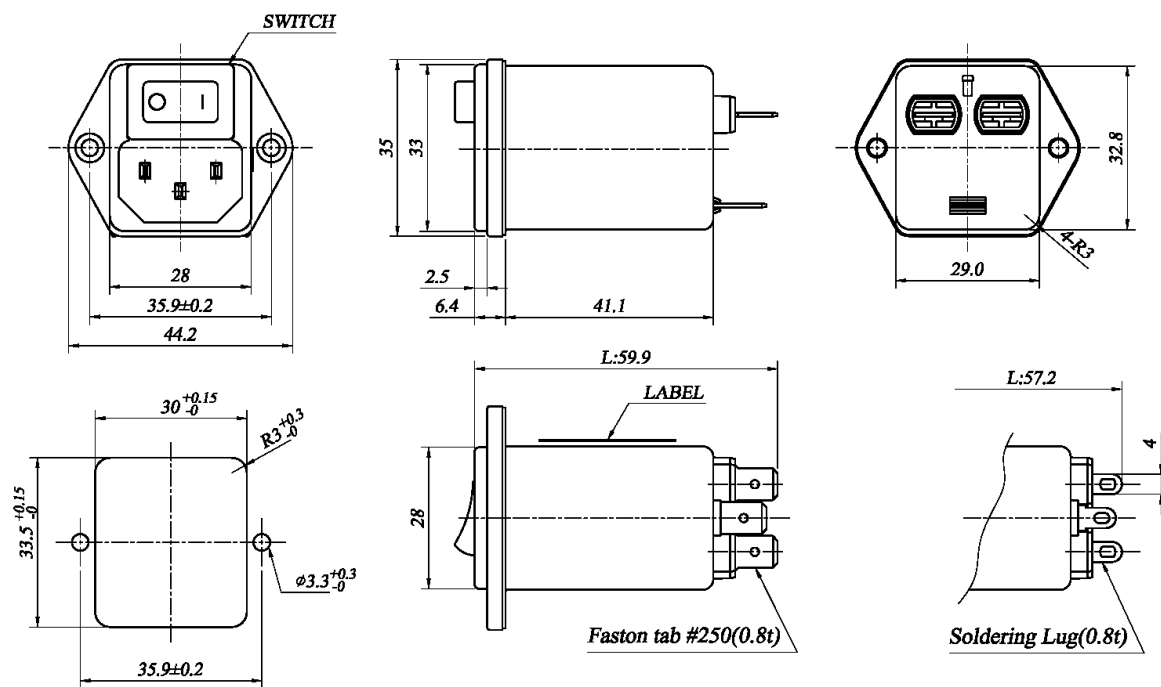
Weight: 80g

Inlet: Compatible with IEC 60320-1, C14

■ Model Number Construction

| I                                   | R3  | N02  | 4   | 2   | H  |
|-------------------------------------|---|--|---|---|--|
| Input Connector<br>I: IEC Connector | Special Design<br>R3:Screw Mounting<br>/With Switch | Current Rating<br>: ACrms<br>03 : 3amp<br>06 : 6amp<br>10 : 10amp<br>N**: Highest permeability | Line-Line<br>Cap.Value<br>2 : 0.022uF<br>3 : 0.033uF<br>4 : 0.047uF<br>6 : 0.068uF<br>A : 0.1 uF<br>B : 0.15 uF<br>C : 0.22 uF<br>D : 0.33 uF | Line-Gnd<br>Cap.Value<br>C : 330pF<br>D : 470pF<br>G : 680pF<br>F : 820pF<br>E : 1000pF<br>1 : 1500pF<br>2 : 2200pF<br>3 : 3300pF<br>0 : None | Output Terminal Style<br>H : Faston Tab #250<br>S : Solder Lug |

Shapes and Dimensions



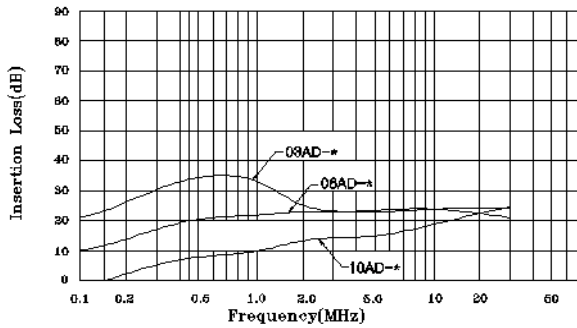
Panel Cutout dimension mount from front side.

\* Alternate terminal for IR3-\*\*\*\*H

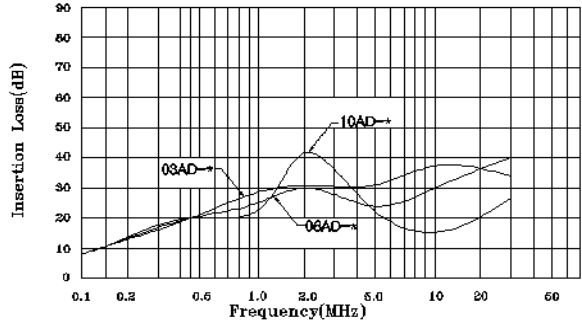
\* Alternate terminal for IR3-\*\*\*\*S

# Attenuation Characteristics

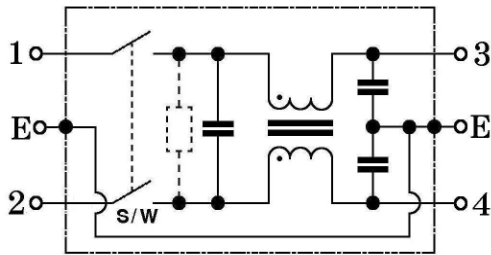
## ●Common Mode(IR3-03/06/10\*\*-\*)



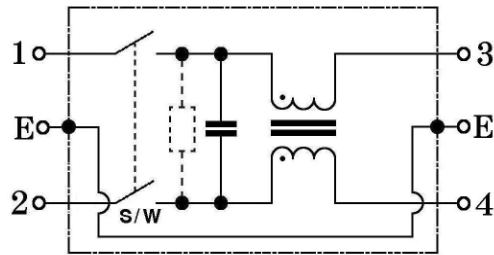
## ●Differential Mode(IR3-03/06/10\*\*-\*)



## ●Circuit Diagram



IR3-\*\*\*\* TYPE



IR3-\*\*\*0 TYPE

## ●Measurement configuration

