

Figure 2. The soil moisture indicator circuit

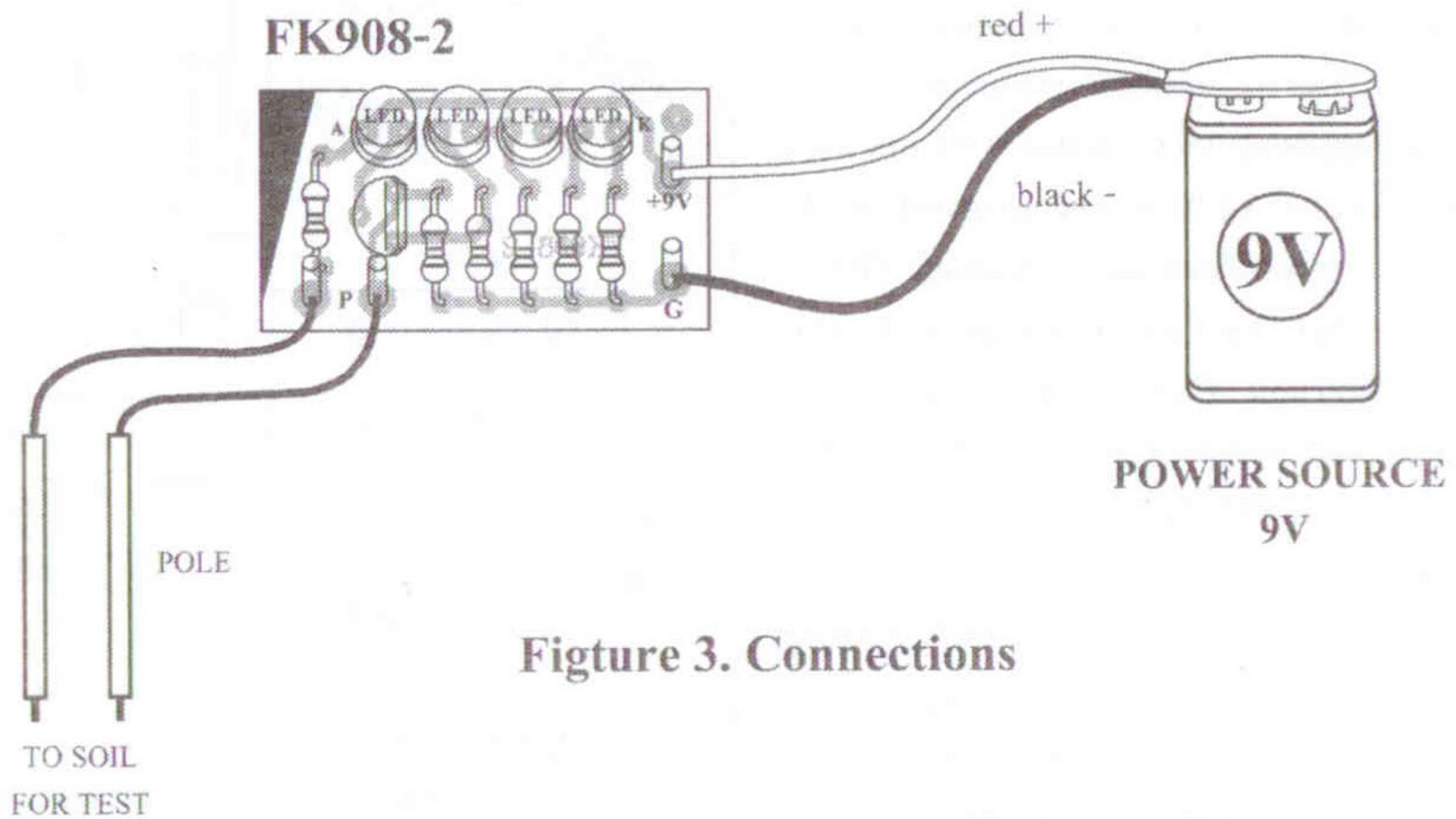
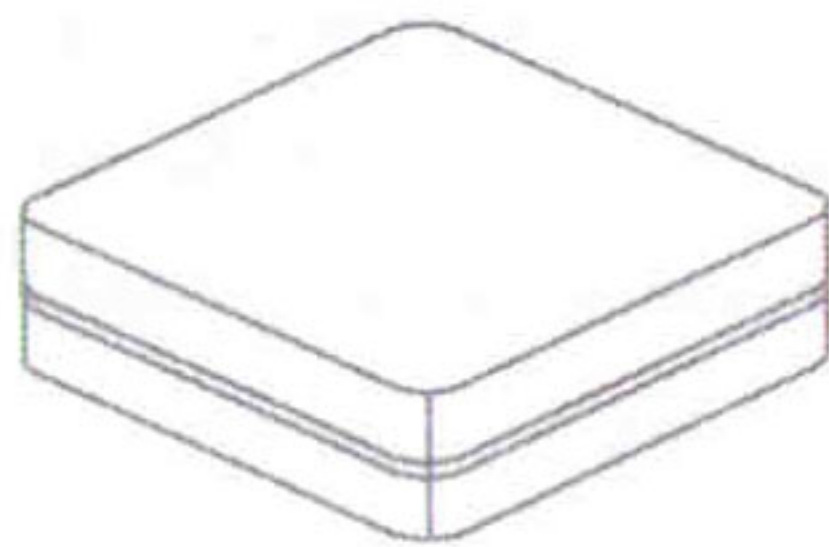


Figure 3. Connections



NOTE:

FUTURE BOX FB01 is suitable for this kit.

NEW KIT SET

CODE FK	DESCRIPTION	POWER
167	FIREFLY LIGHT (NIGHT ACTIVATE)	3VDC.
275	THREE TRAIN SOUNDS (IC DIGITAL)	3VDC.
276	OWL VOICE (IC DIGITAL)	3VDC.
326	DUAL STATION INTERCOM&DOOR BELL (WITH 2 SPEAKER)	6-12VDC.
436	UHF REMOTE CONTROL 1 CH.	TX. 9VDC. RX. 12VDC.
673	MINI POWER AMP 1+1W. STEREO	3-12VDC.