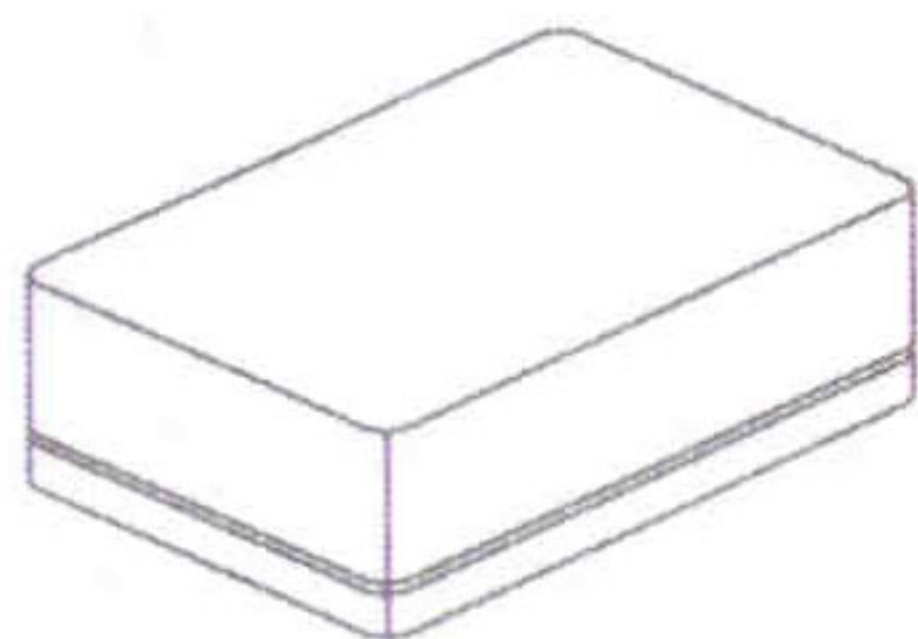
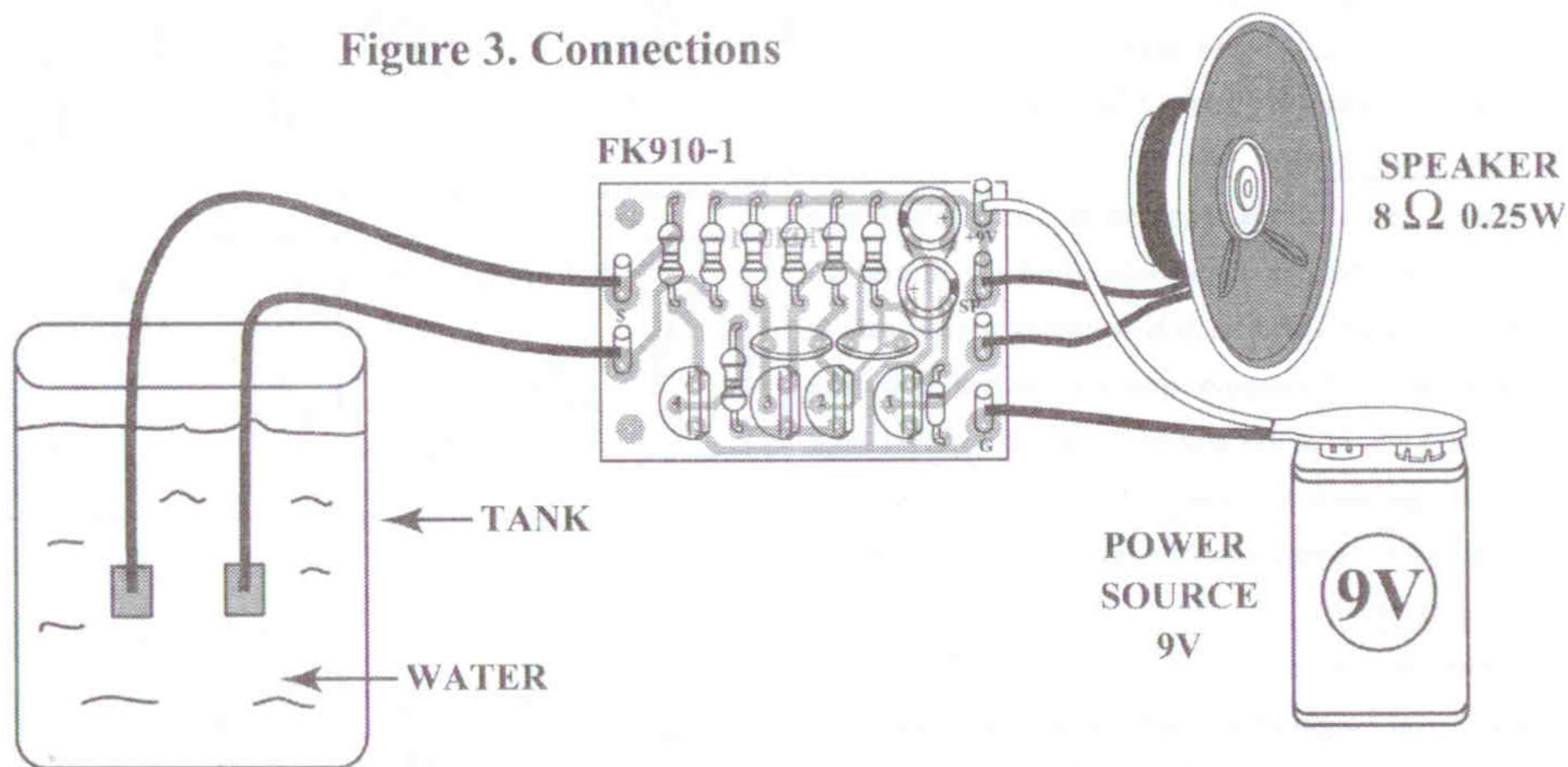


Figure 2. The water sensor alarm circuit

Figure 3. Connections



NOTE:

FUTURE BOX FB03 is suitable for this kit.

NEW KIT SET

CODE FK	DESCRIPTION	POWER
168	NO SMOKING FLASHER 46 LED	9-12VDC.
169	DANCING ROBOT FLASHER 33 LED	9-12VDC.
170	DANGER FLASHER 42 LED	9-12VDC.
171	TWO LAMP FLASHER	3VDC.
172	THREE STEP FLASHER 19 LED	9-12VDC.
173	HALLOWEEN PUMPKIN FLASHER 23 LED	9-12VDC.
174	5x7 ANIMATED LED SIGNBOARD	3-5VDC.
816	VARIABLE REGULATOR 0-50V. 3A.	50VDC.
817	TRANSFORMERLESS POWER SUPPLY 6-9-12V 50mA	220-240VAC.